



# Discovery VoIP

In-Skin VoIP Capability for Vodavi XTS Systems

## Technology

- H.323
- G.723.1
- G.729
- G.711 A-Law
- G.711 U-Law

## Connections

- One 10/100 Mbps RJ/45 Ethernet port
- One RS/232 port (for administration and troubleshooting)

## Integration

- Designed specifically to integrate with Vodavi XTS systems. Ask your dealer for additional system integrations.

The Discovery VoIP Card bridges voice communications over an IP network, giving you the latest technologies to ease remote office communications and reduce long-distance costs. With the Discovery VoIP Card, VoIP and legacy telephony technologies are integrated to provide superior functionality and flexibility.

### Value: Network Vodavi Systems with the Discovery VoIP Card

From reducing toll charges to streamlining business communications, the Discovery VoIP Card can provide internal dialing between systems. The addition of the Networking package provides an expanded set of features such as centralized voice mail, BLF station monitoring across the network and DID routing between systems.

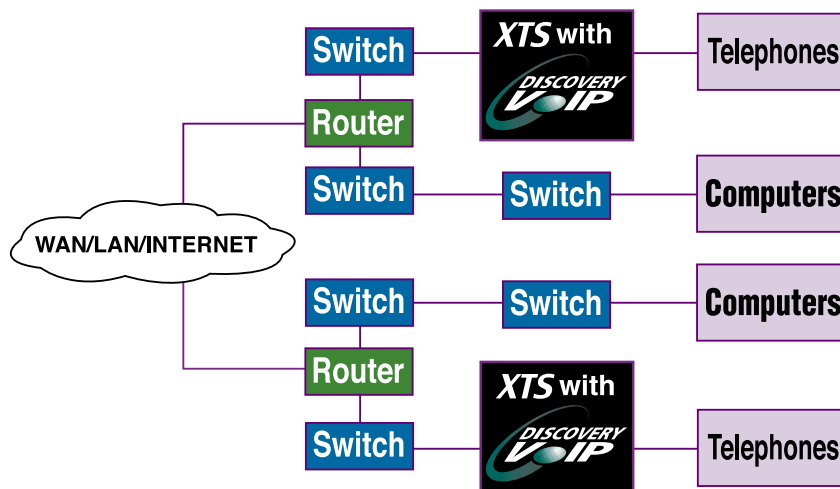
### Save: Leverage Your Investments

Your remote offices can leverage your existing data connections while expanding the capabilities of your Vodavi XTS system. An IP network can be

shared for voice and data over a Local Area Network, Wide Area Network or the Internet, providing quality telephony communications between remote offices while avoiding additional per-minute tolls.

### Integrate: Complete Solution Without Sacrifice

The Discovery VoIP Card is an integrated solution that fits right into your existing Vodavi XTS phone system. Your investment is enhanced while providing you with the business solutions necessary to help your company succeed.





# Express VoIP

Low-Cost VoIP Functionality for Most Phone Systems

## Highlights

- VoIP enables most KSU/PBX systems
- Remote office long-distance savings
- Low-cost IP functionality
- Dial internal extensions between remote sites
- Maximizes existing data connection value
- Web-based administration

## Integration

- Express VoIP integrates with all Vodavi phone systems.

Express VoIP installs in minutes making it the perfect IP telephony solution for your existing telephone system. Express VoIP extends the reach of the main office using the H.323 protocol over your existing Intranet. Remote offices and telecommuters can avoid long-distance charges while enjoying high quality voice over your Intranet rather than the PSTN.

### Express Connectivity

This non-proprietary adjunct gateway connects to an available analog CO port on an existing telephony system to provide Voice-over-IP connectivity to other VoIP enabled devices. An analog phone can also be used connected directly to the Express VoIP gateway giving a remote site or home office simple VoIP connectivity right to the main office. This allows telecommuters to avoid the hassle of adding up all business related long distance charges by accessing the main office's telephone system to place outbound long distance calls instead.

### Express Installation

Installation and administration of Express VoIP is very simple. Connect the Express VoIP to your system's analog CO ports via the Express VoIP SLT ports, and connect the Express VoIP to your network via the Ethernet port. All administration is easily performed through a web browser. This eliminates complicated programming or the constant running back and forth between the desk and the phone room.

